

HOT WATER STORAGE CALORIFIERS INDUSTRIAL AND COMMERCIAL APPLICATIONS

Catalogue



WORLD LEADING BRAND OF INDOOR THERMAL COMFORT

WELLMAN ROBEY is the leading supplier of water heaters and heating equipment to European markets with 5 500 people dedicated to continuously adding value to its products and responding to the growing worldwide demand. Groupe Wellman Robey has a turnover of 1 350 million euros, manufacturing over 2.7 million panel heaters and 2 million water heaters yearly.



The ISO 9001 Certificate has been attributed to several W R manufacturing plants for their entire production.



WELLMAN ROBEY has been developing and manufacturing solutions for water heating and is recognized as one of the world leader manufacturers in multi-energy heating equipments (electric, gas, fuel, renewables).

In 2012, a new range of commercial and industrial water heaters through its . This new range with capacities from 500 to 3000L beneficiates from Wellman Robey expertise in tank enamelling and Pacific's know-how and experience in commercial water heaters, which the brand aquired over the last 70 years.

To improve its manufacturing process, invested in new state-of-the-art production line dedicated to the manufacturing of commercial and industrial application tanks.

WELLMAN ROBEY :

Based on customers satisfaction surveys, is synonymous with quality, innovation and efficiency. This image is the result of products that take into account end users' requirements for comfort and reliability, and most of all the quality of service.

@ To learn more about Wellman Robey , click on our website www.wellman-robey.com

The new production line for commercial and industrial calorifier is equipped with state-of-the-art tooling and equipment which allow to optimize the tanks' global quality, its manufacturing process and enamel quality. Pacific know-how and Wellman Robey expertise guarantee high quality products for customers' benefit.

Step 1: Steel delivery



Step 2: Steel cutting

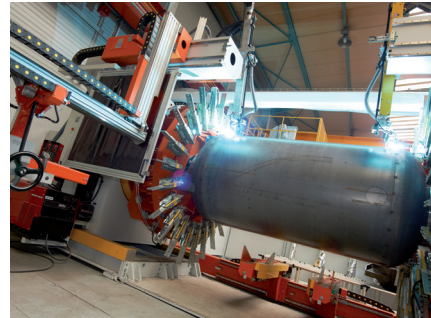


High precision plasma cutting robot

Step 4: Shotblasting



Step 3: Assembling and welding



Step 5: Enamelling

Diamond-quality enamel



Diamond-quality enamel is recognized as one of the best tank enamel, bringing long-lasting protection against corrosion to the tank

Step 6: Furnace enamelling



Step 7: Finishing



Step 8: Delivery



Corprimo

Storage tank for primary closed circuits * *
11 models available



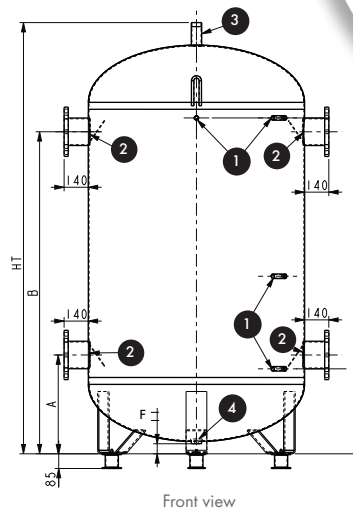
CHARACTERISTICS

- Steel tank (operating pressure of 4 bar)
- Adjustable feet (included)
- Temperature controls (sensors and thermometers)
- External jacket SNC (soft PU): high density insulation foam 100 mm
- Insulation of the base inside the tank
- 4 connection taps with aerators
- 2" drain at the bottom of the tank
- Blind trilobal thermowells with thermal paste for temperature sensor
- Risers for drain connection
- Lifting rings
- Warranty:
5 years for tanks
2 years for parts

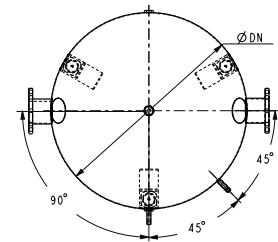
OPTIONS

- Inspection manhole

500 L - 3000 L



Front view



Bottom view



TANK CHARACTERISTICS

| References | Corprimo models | | | | | | | | | | | |
|--|-----------------|---------|--------|---------|--------|---------|--------|--------|---------|--------|---------|------|
| | 500 | 750 | 1000 | 1000 TB | 1500 | 1500 TB | 2000 | 2500 | 2500 TB | 3000 | 3000 TB | |
| TECHNICAL CHARACTERISTICS AND PERFORMANCE | | | | | | | | | | | | |
| Usable capacity (L) | 517 | 768 | 1022 | 1020 | 1430 | 1552 | 2077 | 2512 | 2521 | 3025 | 2904 | |
| Cooling constants | 0.105 | 0.079 | 0.069 | 0.067 | 0.057 | 0.054 | 0.049 | 0.045 | 0.042 | 0.041 | 0.04 | |
| DIMENSIONAL CHARACTERISTICS (IN MM) | | | | | | | | | | | | |
| Ø DN | 650 | 790 | 790 | 1000 | 1000 | 1250 | 1250 | 1250 | 1500 | 1250 | 1500 | |
| Lower connection (A) | 390 | 430 | 430 | 475 | 500 | 540 | 540 | 570 | 637 | 570 | 637 | |
| Upper connection (B) | 1460 | 1500 | 1890 | 1155 | 1460 | 1095 | 1530 | 1860 | 1207 | 2285 | 1427 | |
| Height under drain (F) | 60 | | | | | | | | | | | |
| Sensors & Therm ¹ | F 15/21 | | | | | | | | | | | |
| Connections ² | F66/76 | F 80/90 | | | | | DN 150 | | | | | |
| Purge ³ | M 40/49 | | | | | M 50/60 | | | | | | |
| Drain ⁴ | F 50/60 | | | | | | | | | | | |
| Overall height | Without risers | 1900 | 1935 | 2460 | 1690 | 2215 | 1695 | 2130 | 2490 | 1905 | 2915 | 2125 |
| | With risers | 1985 | 2020 | 2545 | 1775 | 2300 | 1780 | 2215 | 2575 | 1990 | 3000 | 2210 |
| Dimension passageway | 650 | 790 | 790 | 1000 | 1000 | 1250 | 1250 | 1250 | 1500 | 1250 | 1500 | |
| Tilting dimension* | 1920 | 1960 | 2480 | 1730 | 2270 | 1720 | 2180 | 2530 | 1960 | 2950 | 2170 | |
| Empty tank weight (kg) | 80 | 151 | 181 | 169 | 205 | 267 | 320 | 363 | 350 | 415 | 393 | |
| Codes | 610322 | 610323 | 610324 | 610325 | 510385 | 610327 | 610328 | 610329 | 610330 | 610331 | 610332 | |

* Risers not mounted. **No cathodic protection, no enamel

Corhydro

Storage tank for DHW.
Diamond-quality enamel. 11 models available



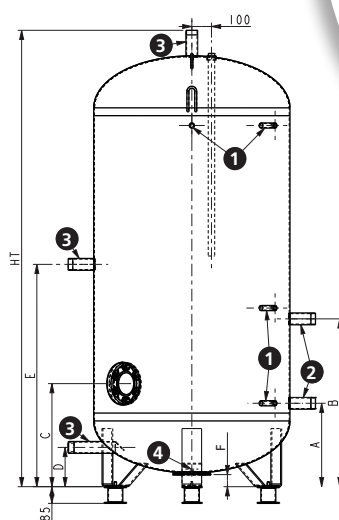
CHARACTERISTICS

- Enamelled steel tank with 8 bars working pressure
- Temperature controls (sensors and thermometers)
- Circulation connections included
- 2" drain at the lowest point on a Ø 112 mm removable flange
- Ø 112 mm flange or Ø 400 mm manhole with insulation
- Adjustable feet (included)
- External jacket SNC (soft PU): high density insulation foam 100 mm
- Insulation of the base inside the tank
- Magnesium anode 200 g/m²
- Blind trilobal thermowells with thermal paste for temperature sensor
- Risers for drain connection
- Lifting rings
- Warranty:
 - 5 years for tanks
 - 2 years for parts

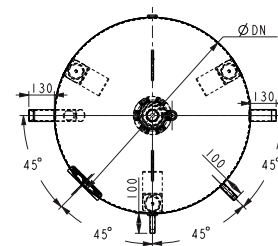
OPTIONS & ACCESSORIES

- DHW electric booster
- Additional equipment: heating loop
- 5 to 30 kW direct immersion heating element back-up kit

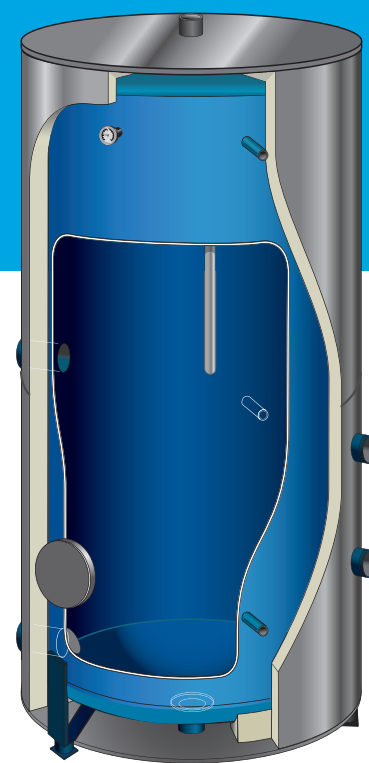
500 L - 3000 L



Front view



Bottom view



TANK CHARACTERISTICS

| References | Corhydro models | | | | | | | | | | | |
|--|-----------------|--------|--------|---------|--------|---------|--------|--------|---------|--------|---------|------|
| | 500 | 750 | 1000 | 1000 TB | 1500 | 1500 TB | 2000 | 2500 | 2500 TB | 3000 | 3000 TB | |
| TECHNICAL CHARACTERISTICS AND PERFORMANCE | | | | | | | | | | | | |
| Usable capacity (L) | 517 | 768 | 1022 | 1020 | 1425 | 1552 | 2077 | 2512 | 2521 | 3025 | 2904 | |
| Cooling constants | 0.105 | 0.079 | 0.069 | 0.067 | 0.057 | 0.054 | 0.049 | 0.045 | 0.042 | 0.041 | 0.04 | |
| DIMENSIONAL CHARACTERISTICS (IN MM) | | | | | | | | | | | | |
| Ø DN | 650 | 790 | 790 | 1000 | 1000 | 1250 | 1250 | 1250 | 1500 | 1250 | 1500 | |
| Lower connection (A) | 320 | 350 | 350 | 425 | 425 | 491 | 491 | 491 | 558 | 491 | 558 | |
| Upper connection (B) | 720 | 700 | 835 | 700 | 855 | 777 | 901 | 976 | 983 | 1076 | 1018 | |
| Height of the opening | Flange (C) | 420 | 450 | 450 | 525 | 525 | 591 | 591 | 591 | 658 | 591 | |
| | Manhole (C) | - | 780 | 780 | 733 | 733 | 799 | 799 | 799 | 866 | 799 | |
| DCW input (D) | 200 | 200 | 200 | 320 | 320 | 320 | 320 | 320 | 320 | 320 | 320 | |
| Return loop (E) | 920 | 937 | 1200 | 815 | 1077 | 818 | 1036 | 1216 | 923 | 1428 | 1033 | |
| Height under drain (F) | 60 | | | | | | | | | | | |
| Sensors & Therm ① | F 15/21 | | | | | | | | | | | |
| Exchanger connections ② | M 40/49 | | | | | M 50/60 | | | | | | |
| DCW/DHW/RL ③ | M 40/49 | | | | | M 50/60 | | | | | | |
| Drain ④ | F 50/60 | | | | | | | | | | | |
| Overall height | Without risers | 1900 | 1935 | 2460 | 1690 | 2215 | 1695 | 2130 | 2490 | 1906 | 2915 | 2126 |
| | With risers | 1985 | 2020 | 2545 | 1775 | 2300 | 1780 | 2215 | 2575 | 1991 | 3000 | 2211 |
| Dimension passageway | Flange | 680 | 800 | 800 | 1015 | 1015 | 1250 | 1250 | 1250 | 1500 | 1250 | 1500 |
| | Manhole | - | 880 | 880 | 1045 | 1045 | 1260 | 1260 | 1260 | 1500 | 1250 | 1500 |
| Tilting dimension* | 1920 | 1960 | 2480 | 1730 | 2270 | 1720 | 2180 | 2530 | 1960 | 2950 | 2170 | |
| Empty tank weight (kg) | 82 | 122 | 155 | 185 | 234 | 290 | 360 | 415 | 470 | 478 | 515 | |
| Codes | 620401 | 620402 | 620403 | 620404 | 520492 | 620406 | 620407 | 620408 | 620409 | 620410 | 620411 | |

* Risers not mounted.

Cortherm

Electrical calorifier with sheathed or dry ceramic heating element
Diamond-quality enamel.
11 models available



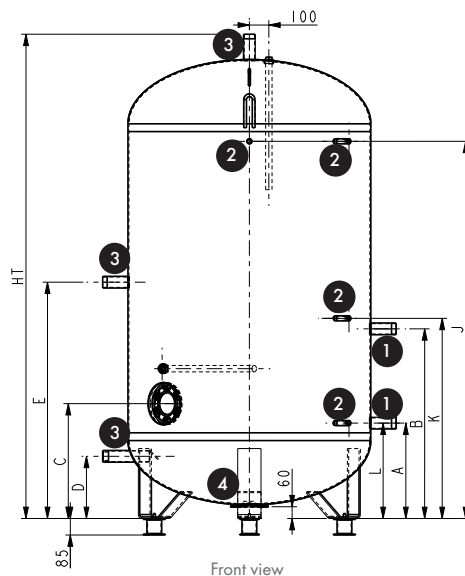
CHARACTERISTICS

- Enamelled steel tank with 10 bars working pressure
- Bottom drain device
- Temperature controls (sensors and thermometers)
- Adjustable feet (included)
- Magnesium anode 200 g/m²
- External jacket SNC (soft PU): high density insulation foam 100 mm
- Warranty :
5 years for tanks
2 years for parts
- Lifting rings

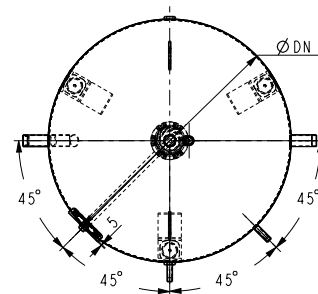
OPTIONS

- Additional electric backup
- DHW electric booster
- Inspection manhole

500 L - 3000 L



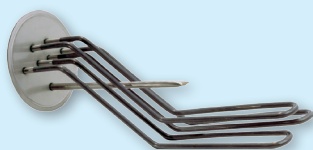
Front view



Bottom view

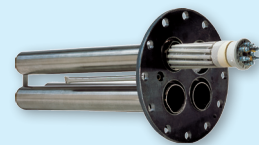
SHEATHED ELEMENT

- Stainless steel incoloy 800 immersion heating element mounted into a Ø 112 mm stainless steel flange (watt density: ≤ 10 W/cm²)
 - Available output: 5, 10, 15, 25 kW
 - Voltage: 400 V, 3 phases
 - Thermostat: adjustable capillary thermostat ranging 50 - 80 °C (+/- 5 °C) (factory preset at 65 °C)
- Manual reset safety cut-out wired in series, to be connected to a power-switch for water heaters exceeding 5 kW



CERAMIC ELEMENT

- Low watt density (4 W/cm²) dry ceramic heating element inserted into a stainless steel protective sleeve
 - Ultimate scale avoiding solution
 - Excellent for desalinating hard and highly mineralized water
 - No need to drain the calorifier for easy maintenance
 - Available output: 4.8, 9, 12, 18, 24 kW (multi-outputs available)
 - Voltage: 400 V, 3 phases
 - Thermostat: adjustable capillary thermostat ranging 10 - 65 °C (factory preset at 65 °C)
- Manual reset safety cut-out wired in series, to be connected to a power-switch for water heaters exceeding 5 kW



TANK CHARACTERISTICS

| References | Cortherm models | | | | | | | | | | |
|-----------------------------------|------------------|------------------|------------------|----------------|----------------|----------------|----------------|----------------|----------------|---------------------------|----------------|
| | 500 | 750 | 1000 | 1000 TB * | 1500 | 1500 TB * | 2000 | 2500 | 2500 TB * | 3000 | 3000 TB * |
| SHEATHED HEATING ELEMENT | | | | | | | | | | | |
| Usable capacity (L) | 517 | 768 | 1022 | 1020 | 1425 | 1552 | 2077 | 2512 | 2521 | 3025 | 2904 |
| Weight (kg) | 82 | 122 | 155 | 185 | 245 | 290 | 360 | 415 | 470 | 478 | 515 |
| Magnesium anode (Mg) | Lg 500 mm | Lg 650 mm | Lg 800 mm | Lg 800 mm | LG 1000mm | Lg 1000 mm | 2 x Lg 600 mm | 2 x Lg 650 mm | 2 x Lg 650 mm | Lg 600 mm + 2 x Lg 500 mm | 3 x Lg 650 mm |
| Heat-up time 65°C (Δ T = 55°C) | 6.397 | 4.797 | 6.397 | 6.397 | 6.397 | 6.397 | 5.117 | 6.397 | 6.397 | 7.676 | 7.676 |
| | 6h24 | 4h48 | 6h24 | 6h24 | 6h24 | 6h24 | 5h07 | 6h24 | 6h24 | 7h40 | 7h40 |
| Sheathed heating element (kW) | 5 | 10 | 10 | 10 | 15 | 15 | 25 | 25 | 25 | 25 | 25 |
| Codes | 630401 | 630402 | 630403 | 630404 | 630424 | 630406 | 630407 | 630408 | 630409 | 630410 | 630411 |
| CERAMIC HEATING ELEMENT | | | | | | | | | | | |
| Usable capacity (L) | 517 | 768 | 1022 | 1020 | 1425 | 1552 | 2077 | 2512 | 2521 | 3025 | 2904 |
| Weight (kg) | 82 | 122 | 155 | 185 | 245 | 290 | 360 | 415 | 470 | 478 | 515 |
| Magnesium anode (Mg) | Lg 500 mm | Lg 650 mm | Lg 800 mm | Lg 800 mm | LG 1000mm | Lg 1000 mm | 2 x Lg 600 mm | 2 x Lg 650 mm | 2 x Lg 650 mm | Lg 600 mm + 2 x Lg 500 mm | 3 x Lg 650 mm |
| Heat-up time 65°C (Δ T = 55°C) | 6.663 | 5.330 | 7.107 | 7.107 | 7.996 | 7.996 | 7.107 | 6.663 | 6.663 | 7.996 | 7.996 |
| | 6h40 | 5h20 | 7h06 | 7h06 | 7h59 | 7h59 | 7h06 | 6h40 | 6h40 | 7h59 | 7h59 |
| Ceramic heating element (kW) | 4.8 | 9 | 9 | 9 | 12 | 12 | 18 | 24 | 24 | 24 | 24 |
| Codes | 630413 | 630414 | 630415 | 630416 | 630425 | 630418 | 630419 | 630420 | 630421 | 630422 | 630423 |
| TANK DIMENSIONS | | | | | | | | | | | |
| Ø Diameter | 650 | 790 | 790 | 1000 | 1000 | 1250 | 1250 | 1250 | 1500 | 1250 | 1500 |
| A | 320 | 350 | 350 | 425 | 425 | 491 | 491 | 491 | 558 | 491 | 558 |
| B | 720 | 700 | 835 | 700 | 855 | 777 | 901 | 976 | 983 | 1076 | 1018 |
| C | 420 | 450 | 450 | 525 | 525 | 591 | 591 | 591 | 658 | 591 | 658 |
| D | 200 | 200 | 200 | 320 | 320 | 320 | 320 | 320 | 320 | 320 | 320 |
| E | 920 | 937 | 1200 | 815 | 1077 | 818 | 1036 | 1216 | 923 | 1428 | 1033 |
| J | 1520 | 1525 | 2050 | 1205 | 1840 | 1146 | 1581 | 1941 | 1288 | 2366 | 1508 |
| K | 770 | 750 | 890 | 750 | 910 | 830 | 961 | 1036 | 1033 | 1136 | 1068 |
| L | 320 | 350 | 350 | 425 | 425 | 491 | 491 | 491 | 558 | 491 | 558 |
| Height (without raisers) | 1900 | 1935 | 2460 | 1690 | 2215 | 1695 | 2130 | 2490 | 1906 | 2915 | 2126 |
| Probes & Thermometer(1) | F 1/2" (15/21) | F 1/2" (15/21) | F 1/2" (15/21) | F 1/2" (15/21) | F 1/2" (15/21) | F 1/2" (15/21) | F 1/2" (15/21) | F 1/2" (15/21) | F 1/2" (15/21) | F 1/2" (15/21) | F 1/2" (15/21) |
| Connections (2) | M 1" 1/2 (40/49) | M 1" 1/2 (40/49) | M 1" 1/2 (40/49) | M 2" (50/60) | M 2" (50/60) | M 2" (50/60) | M 2" (50/60) | M 2" (50/60) | M 2" (50/60) | M 2" (50/60) | M 2" (50/60) |
| Inlet / outlet / return (3) | M 1" 1/2 (40/49) | M 1" 1/2 (40/49) | M 1" 1/2 (40/49) | M 2" (50/60) | M 2" (50/60) | M 2" (50/60) | M 2" (50/60) | M 2" (50/60) | M 2" (50/60) | M 2" (50/60) | M 2" (50/60) |
| Draining (4) | F 2" (50/60) | F 2" (50/60) | F 2" (50/60) | F 2" (50/60) | F 2" (50/60) | F 2" (50/60) | F 2" (50/60) | F 2" (50/60) | F 2" (50/60) | F 2" (50/60) | F 2" (50/60) |
| Flange (5) | DN 112 | DN 112 | DN 112 | DN 112 | DN 112 | DN 112 | DN 112 | DN 112 | DN 112 | DN 112 | DN 112 |

TB : Compact model. * Risers not mounted. ** Only for sheathed heating element version.

Corflex

Modular DHW storage calorifier. Diamond-quality enamel.
Select the calorifier specifications matching your needs

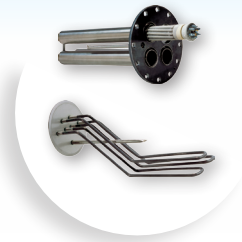
With the CORFLEX range, you can adapt your tank to your specific needs by choosing the equipment in 4 steps. Each element of your choice has a reference which has to be quoted when ordering the calorifier.

MAKE YOUR CHOICE

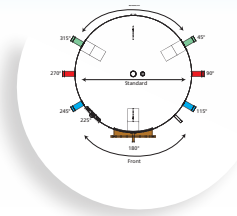
Step 1 Tank



Step 2 Flange(s) and/or the electric heating element(s)



Step 3 Options (manhole and connection positions)



Step 4 Insulation



STEP 1: Choose the tank

- Refere to Corhydro (page 5) for technical data and dimensions
- 5-year warranty for tanks

| Capacity (L) | Diameter (mm) | Height with feet (mm) | Operating pressure | |
|--------------|---------------|-----------------------|--------------------|--------------|
| | | | 8 bar Codes | 10 bar Codes |
| 500 | 650 | 1985 | 065072 | 065084 |
| 750 | 790 | 2020 | 065073 | 065085 |
| 1000 | 790 | 2545 | 065074 | 065086 |
| 1000 TB* | 1000 | 1775 | 065075 | 065087 |
| 1500 | 1000 | 2410 | 065076 | 065088 |
| 1500 TB* | 1250 | 1750 | 065077 | 065089 |
| 2000 | 1250 | 2215 | 065078 | 065090 |
| 2500 | 1250 | 2575 | 065079 | 065091 |
| 2500 TB* | 1500 | 1991 | 065080 | 065092 |
| 3000 | 1250 | 3000 | 065081 | 065093 |
| 3000 TB* | 1500 | 2210 | 065082 | 065094 |
| 4000 | | | | |
| 5000 | | | | |

*TB = Compact model

STEP 2: Choose the flange(s) and/or the electric heating element(s)

*Possibility to install a maximum of 2 flanges. **First flange** low position, **second flange**, either medium or high position

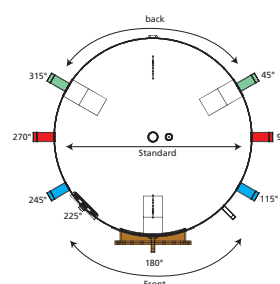
| | 500L | 750L | 1000L | 1000L TB | 1500L | 1500L TB | 2000L | 2500L | 2500L TB | 3000L | 3000L TB | Voltage (V) | Low position | Medium position | Top position |
|-------------------------------------|--------|------|-------|----------|-------|----------|-------|-------|----------|-------|----------|-----------------|--------------|-----------------|--------------|
| Flange only DN Ø 112 mm | • | • | • | • | • | • | • | • | • | • | • | - | 029 409 | 029 504 | 029 505 |
| Flange with SHEATHED ELEMENTS | 5 kW | • | • | • | • | • | • | • | • | • | • | Tri 230/400 V 3 | 029 700 | 029 705 | 029 710 |
| | 10 kW | • | • | • | • | • | • | • | • | • | • | Tri 230/400 V 3 | 029 701 | 029 706 | 029 711 |
| | 15 kW | - | • | • | • | • | • | • | • | • | • | Tri 230/400 V 3 | 029 702 | 029 707 | 029 712 |
| | 25 kW | - | • | • | • | • | • | • | • | • | • | Tri 230/400 V 3 | 029 703 | 029 708 | 029 713 |
| | 30 kW | • | • | • | • | • | • | • | • | • | • | Tri 400 V 3 | 029 704 | 029 709 | 029 714 |
| Flange with CERAMIC ELEMENTS | 4.8 kW | • | • | • | • | • | • | • | • | • | • | Tri 230/400 V 3 | 029 715 | - | - |
| | 9 kW | - | • | • | • | • | • | • | • | • | • | Tri 230/400 V 3 | 029 716 | - | - |
| | 12 kW | - | - | • | • | • | • | • | • | • | • | Tri 230/400 V 3 | 029 717 | - | - |
| | 18 kW | - | - | • | • | • | • | • | • | • | • | Tri 230/400 V 3 | 029 718 | - | - |
| | 24 kW | - | - | - | • | • | • | • | • | • | • | Tri 230/400 V 3 | 029 719 | - | - |

*TB = Compact model



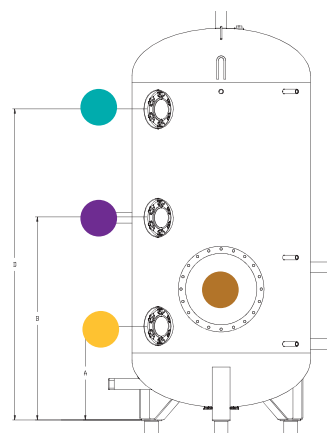
STEP 3: Choose the openings (manhole and connection positions)

| | | Codes | |
|-----------------------------------|---|-----------------|---|
| Manhole (starting at 750L) | ● | 029410 | Not complying with 500L tanks |
| Standard connections (90°/270°) | ● | Default setting | – |
| Frontside connections (115°/245°) | ● | 029608 | Not complying if tank equipped with dry ceramic heating element |
| Backside connections (45°/315°) | ● | 029606 | |



| | Heights | | |
|-----------|----------------|-------------------|-----------------|
| | Low position ● | Medium position ● | High position ● |
| 500L | 420 (A) | 920 (B) | 1320 (D) |
| 750L | 450 (A) | 1111 (B) | 1425 (D) |
| 1000L | 450 (A) | 1374 (B) | 1950 (D) |
| 1000L TB* | 525 (A) | 941 (B) | 1105 (D) |
| 1500L | 525 (A) | 1132 (B) | 1416 (D) |
| 1500L TB* | 591 (A) | 1036 (B) | 1036 (D) |
| 2000L | 591 (A) | 1036 (B) | 1436 (D) |
| 2500L | 591 (A) | 1216 (B) | 1766 (D) |
| 2500L TB* | 658 (A) | 1188 (B) | 1188 (D) |
| 3000L | 591 (A) | 1361 (B) | 2156 (D) |
| 3000L TB* | 658 (A) | 1088 (B) | 1327 (D) |

*TB = Compact model



STEP 4: Choose the insulation

- Default setting: tank delivered without jacket
- Galvanised steel TMO jacket only available on demand

| Capacity (L) | 100 mm SNC Code | 100 mm M1 Code |
|--------------|-----------------|----------------|
| 500 | 083086 | 083072 |
| 750 | 083087 | 083073 |
| 1000 | 083088 | 083074 |
| 1000 TB* | 083089 | 083075 |
| 1500 | 083090 | 083076 |
| 1500 TB* | 083091 | 083077 |
| 2000 | 083092 | 083078 |
| 2500 | 083093 | 083079 |
| 2500 TB* | 083094 | 083080 |
| 3000 | 083095 | 083081 |
| 3000 TB* | 083096 | 083082 |

*TB = Compact model



Flexible Jacket SNC (soft PU)



Flexible Jacket M1

Corflow

Indirect and combi calorifier with coil exchanger.
Diamond-quality enamel. 4 models available



CHARACTERISTICS

- Enamelled steel tank with 8 bars working pressure
- Enamelled steel coil
- Temperature controls (sensors and thermometers)
- Adjustable feet (included)
- Heating Element: CoiExchanger
- External jacket SNC (soft PU): high density insulation foam 100 mm
- Insulation of the base inside the tank
- Magnesium anode 200 g/m²
- 2" drain at the lowest point on a Ø 112 mm removable flange
- Blind trilobal thermowells with thermal paste for temperature sensor
- Ø 112 mm flange or Ø 400 mm manhole with insulation
- Risers for drain connection
- Lifting rings
- Warranty:
 - 5 years for tanks
 - 2 years for parts

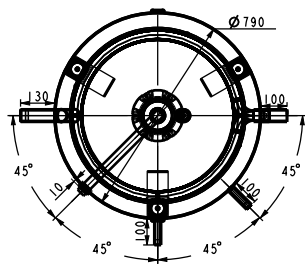
OPTIONS

- Electric set (5 and 10 kW) available for 1000 and 1500L
- Inspection manhole
- Regulating aquastat unit

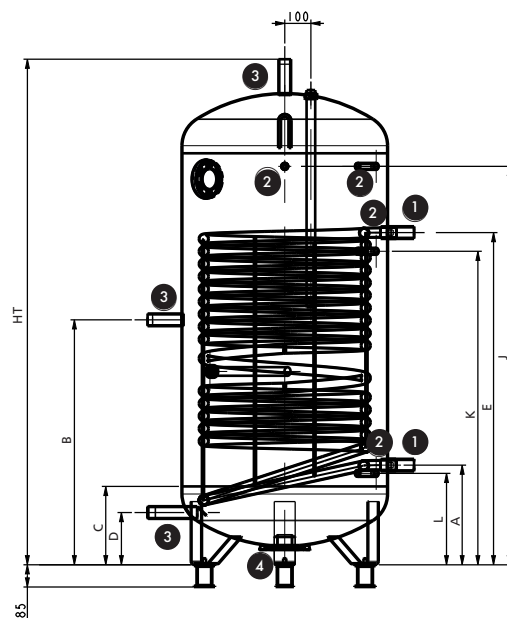


Coil exchanger

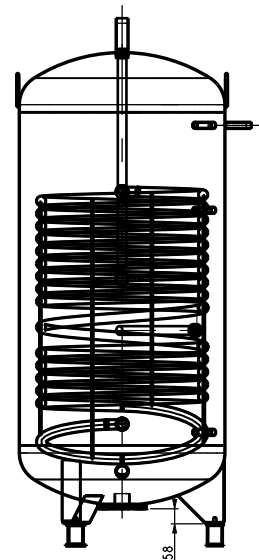
500 L - 1500 L



Bottom view

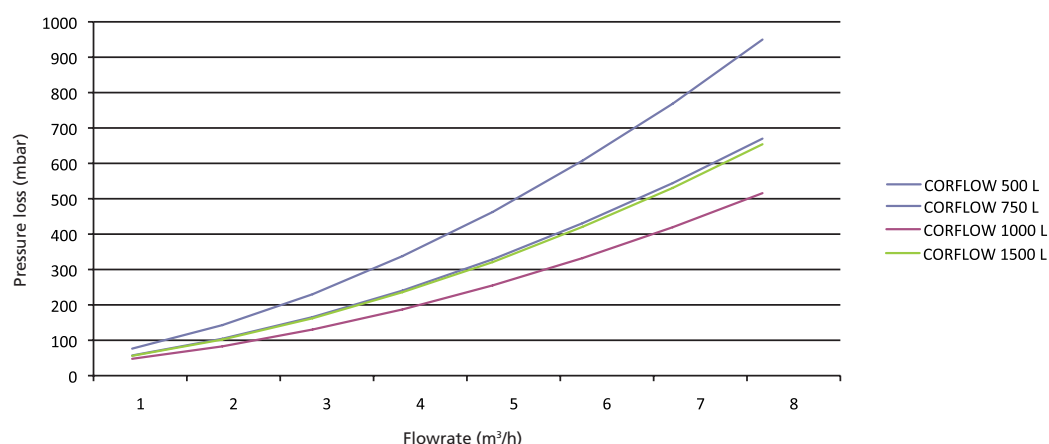


Front view



Side view

Pressure losses diagram



TANK CHARACTERISTICS

| References | Corflow models | | | | | | | | | | | | |
|--|----------------|-------|------|--------|-------|------|--------|-------|------|--------|-------|------|------|
| | 500 | | | 750 | | | 1000 | | | 1500 | | | |
| TECHNICAL CHARACTERISTICS AND PERFORMANCE | | | | | | | | | | | | | |
| Usable capacity (L) | 491 | | | 734 | | | 972 | | | 1360 | | | |
| Cooling constants | SM1 | 1.472 | | | 1.852 | | | 2.250 | | | 2.685 | | |
| | TMO | 1.311 | | | 1.646 | | | 1.997 | | | 2.381 | | |
| Pressure loss | mBar | 500 | | | 500 | | | 500 | | | 500 | | |
| Primary flow rate | m³/h | 4,1 | | | 7 | | | 8.2 | | | 7.2 | | |
| Primary temperature | °C | 70 | 80 | 90 | 70 | 80 | 90 | 70 | 80 | 90 | 70 | 80 | 90 |
| Power at 60 °C** | kW | 57 | 83 | 108 | 73 | 107 | 139 | 89 | 130 | 169 | 109 | 158 | 203 |
| Continuous flow at 60 °C** | L/h | 978 | 1434 | 1848 | 1248 | 1842 | 2388 | 1524 | 2238 | 2910 | 1878 | 2712 | 3498 |
| Power at 45 °C (**) | kW | 80 | 102 | 124 | 103 | 133 | 162 | 126 | 161 | 197 | 151 | 193 | 235 |
| Continuous flow at 45 °C** | L/h | 1962 | 2508 | 3048 | 2526 | 3258 | 3978 | 3084 | 3960 | 4836 | 3714 | 4740 | 5760 |
| Flow rate 10 min at 45 °C*** | L | 639 | 657 | 674 | 929 | 944 | 947 | 1246 | 1250 | 1251 | 1757 | 1786 | 1814 |
| Codes | 640401 | | | 640402 | | | 640403 | | | 640404 | | | |

* Storage at 65 °C - Room temperature 20 °C. Values determined according to RT2012. Add 0.176 W/K for manhole models.

** Cold water at 10 °C *** Cold water at 10 °C - Storage at 60 °C.

DIMENSIONAL CHARACTERISTICS (IN MM)

| | | | | | | | | | | | | | |
|------------------------|----------------|------|--|---------|------|--|---------|------|--|---------|------|--|--|
| Ø DN | 650 | | | 790 | | | 790 | | | 1000 | | | |
| Return coil (A) | 347 | | | 381 | | | 354 | | | 429 | | | |
| Input coil (B) | 1333 | | | 1271 | | | 1570 | | | 1644 | | | |
| Height of the opening | Flange (C) | 720 | | | 740 | | | 1008 | | | 1083 | | |
| | Manhole (C) | - | | | - | | | 1008 | | | 1083 | | |
| DCW input (D) | 200 | | | 1008 | | | 200 | | | 320 | | | |
| Return loop (E) | 920 | | | 937 | | | 1200 | | | 1132 | | | |
| Height under drain (F) | 60 | | | | | | | | | | | | |
| Sensors & Therm ① | F 15/21 | | | | | | | | | | | | |
| Coil connections ② | F 33/42 | | | | | | F 40/49 | | | | | | |
| DCW/DHW/RL ③ | | | | M 40/49 | | | | | | M 50/60 | | | |
| Drain ④ | F 50/60 | | | | | | | | | | | | |
| Overall height | Without risers | 1900 | | | 1935 | | | 2460 | | | 2215 | | |
| | With risers | 1985 | | | 2020 | | | 2545 | | | 2300 | | |
| Dimension passageway | Flange | 680 | | | 800 | | | 800 | | | 1015 | | |
| | Manhole | - | | | - | | | 880 | | | 1045 | | |
| Tilting dimension* | 1920 | | | 1960 | | | 2480 | | | 2270 | | | |
| Empty tank weight (kg) | Flange | 135 | | | 210 | | | 225 | | | 329 | | |
| | Manhole | - | | | - | | | 255 | | | 359 | | |
| Codes | 640401 | | | 640402 | | | 640403 | | | 545924 | | | |

* Risers not mounted.

Corsun 1

Solar tank / 1 coil
 Environmentally-friendly solution
 Diamond-quality enamel
 5 models available



CHARACTERISTICS

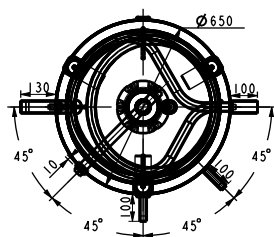
- Enamelled steel tank with 8 bars working pressure
- Enamelled steel coil
- Temperature controls (sensors and thermometers)
- Adjustable feet (included)
- Heating Element : Coil Exchanger x 1
- External jacket SNC (soft PU): high density insulation foam 100 mm
- Insulation of the base inside the tank
- Magnesium anode 200 g/m2
- 2" drain at the lowest point on a 112 mm removable flange
- Blind trilobal thermowells with thermal paste for temperature sensor
- Ø 112 mm flange or Ø 400 mm manhole with insulation
- Risers for drain connection
- Lifting rings
- Warranty:
 - 5 years for tank
 - 2 years for parts

OPTIONS

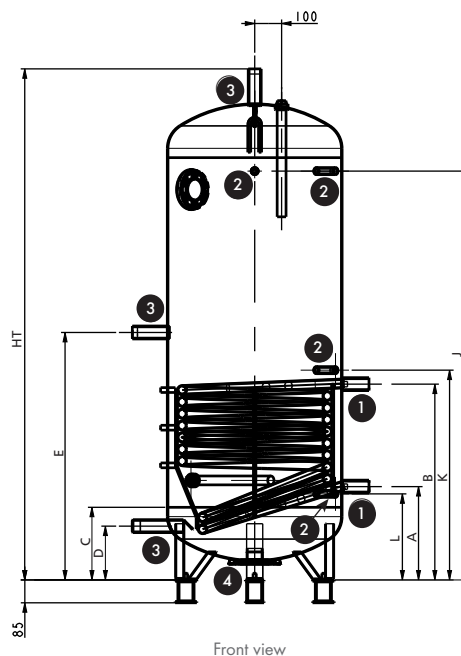
- Additional equipment: heating loop
- 5 to 30 kW direct immersion electrical heating element kit (for models equipped with a flange) available on special orders



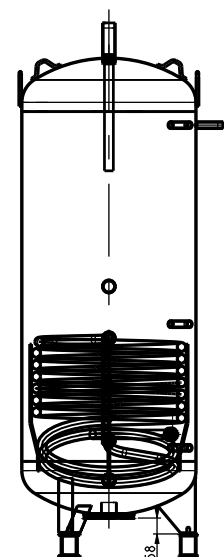
500 L - 2000 L



Bottom view



Front view



Side view

TANK CHARACTERISTICS

| References | Corsun 1 Models | | | | | | | | | | | | | | | |
|--|-------------------|-------|-----|------|-------|------|------|-------|------|------|-------|------|------|-------|------|------|
| | 500 | | | 750 | | | 1000 | | | 1500 | | | 2000 | | | |
| TECHNICAL CHARACTERISTICS AND PERFORMANCE | | | | | | | | | | | | | | | | |
| Usable capacity (L) | 504 | | | 749 | | | 996 | | | 1388 | | | 2026 | | | |
| Cooling constants Codes* | SM1 | 1.472 | | | 1.852 | | | 2.250 | | | 2.685 | | | 3.389 | | |
| | TM0 | 1.311 | | | 1.646 | | | 1.997 | | | 2.381 | | | 3.003 | | |
| Pressure loss | mBar | 500 | | | 500 | | | 500 | | | 500 | | | 500 | | |
| Primary flow rate | m ³ /h | 6 | | | 6.7 | | | 5.8 | | | 4.9 | | | 4.1 | | |
| Primary temperature | °C | 70 | 80 | 90 | 70 | 80 | 90 | 70 | 80 | 90 | 70 | 80 | 90 | 70 | 80 | 90 |
| Power at 60 °C** | kW | 33 | 49 | 65 | 50 | 74 | 97 | 61 | 91 | 118 | 79 | 115 | 148 | 96 | 138 | 175 |
| Continuous flow at 60 °C** | L/h | 564 | 846 | 1116 | 852 | 1272 | 1662 | 1050 | 1560 | 2028 | 1356 | 1980 | 2550 | 1656 | 2370 | 2012 |
| Power at 45 °C** | kW | 48 | 62 | 77 | 72 | 93 | 114 | 88 | 113 | 138 | 11 | 142 | 171 | 131 | 165 | 199 |

* Storage at 65 °C - Room temperature 20 °C. Values determined according to RT2012. Add 0.176 W/K for manhole models.

** Cold water at 10 °C

DIMENSIONAL CHARACTERISTICS (IN MM)

| | | | | | | | | | | | | | | | | |
|------------------------|----------------|------|--|------|------|--|------|------|--|------|------|--|------|------|--|--|
| Ø DN | 650 | | | 790 | | | 790 | | | 1000 | | | 1250 | | | |
| Return coil (A) | 347 | | | 367 | | | 367 | | | 442 | | | 491 | | | |
| Input coil (B) | 728 | | | 834 | | | 965 | | | 1083 | | | 1215 | | | |
| Height of the opening | Flange (C) | 1140 | | | 1150 | | | 1500 | | | 1385 | | | 1451 | | |
| | Manhole (C) | - | | | 1008 | | | 1108 | | | 1183 | | | 749 | | |
| DCW input (D) | 200 | | | 200 | | | 200 | | | 320 | | | 320 | | | |
| Return loop (E) | 920 | | | 937 | | | 1200 | | | 1132 | | | 1011 | | | |
| Height under drain (F) | 60 | | | | | | | | | | | | | | | |
| Return upper coil (G) | 1122 | | | 1138 | | | 1653 | | | 1334 | | | 1203 | | | |
| Upper input soil (H) | 1503 | | | 1517 | | | 2032 | | | 1711 | | | 1578 | | | |
| Sensors & Therm ① | F 15/21 | | | | | | | | | | | | | | | |
| Coil connections ② | F 33/42 | | | | | | | | | | | | | | | |
| DCW/DHW/RL ③ | M 40/49 | | | | | | | | | | | | | | | |
| Drain ④ | F 50/60 | | | | | | | | | | | | | | | |
| Overall height | Without risers | 1900 | | | 1935 | | | 2460 | | | 2215 | | | 2130 | | |
| | With risers | 1985 | | | 2020 | | | 2545 | | | 2300 | | | 2215 | | |
| Dimension passageway | Flange | 680 | | | 800 | | | 800 | | | 1015 | | | 1250 | | |
| | Manhole | - | | | 880 | | | 880 | | | 1045 | | | 1260 | | |
| Tilting dimension* | 1920 | | | 1960 | | | 2480 | | | 2270 | | | 2180 | | | |
| Empty tank weight (kg) | Flange | 115 | | | 165 | | | 205 | | | 309 | | | 455 | | |
| | Manhole | - | | | 195 | | | 235 | | | 339 | | | 485 | | |

* Risers not mounted.

COIL CHARACTERISTICS

| | | | | | | | | | | | | | | | | |
|-----------------------|-----------------------------------|--------|--|--|--------|--|--|--------|--|--|--------|--|--|--------|--|--|
| Solar coil | Area (m ²) | 1.58 | | | 2.4 | | | 3.12 | | | 4.38 | | | 6.08 | | |
| | Interior volume (m ³) | 299 | | | 440 | | | 603 | | | 784 | | | 1556 | | |
| | Solar volume (L) | 10 | | | 16 | | | 20 | | | 28 | | | 39 | | |
| Additional volume (L) | | 205 | | | 309 | | | 393 | | | 604 | | | 470 | | |
| Codes | | 640420 | | | 640421 | | | 640422 | | | 541039 | | | 640426 | | |

Corsun 2

Solar tank / 2 coils
 Environmentally-friendly solution
 Diamond-quality enamel
 5 models available

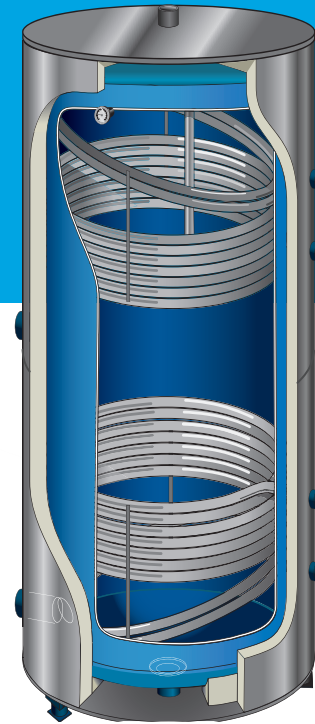


CHARACTERISTICS

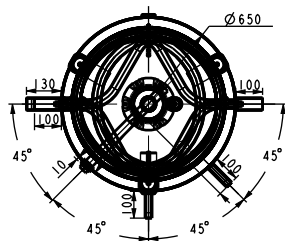
- Heating Element : Coil Exchanger x 2
- Enamelled steel tank with 8 bars working pressure
- Two enamelled steel coils
- Temperature controls (sensors and thermometers)
- Adjustable feet (included)
- External jacket SNC (soft PU): high density insulation foam 100 mm
- Insulation of the base inside the tank
- Magnesium anode 200 g/m²
- 2" drain at the lowest point on a 112 mm removable flange
- Blind trilobal thermowells with thermal paste for temperature sensor
- Ø 112 mm flange or Ø 400 mm manhole with insulation
- Risers for drain connection
- Lifting rings
- Warranty:
 5 years for tank
 2 years for parts

OPTIONS

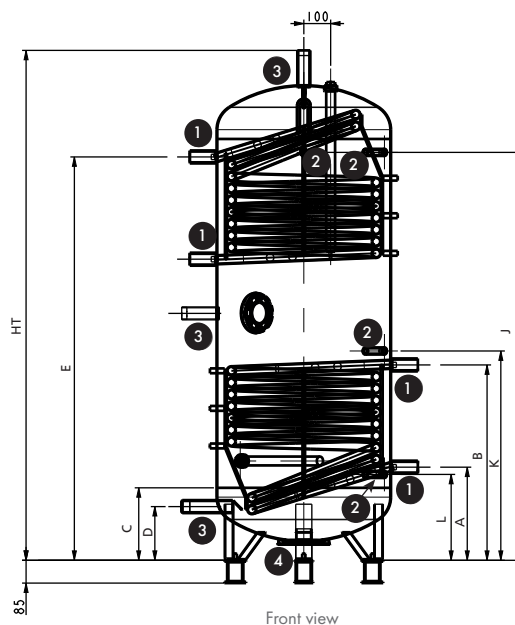
- Inspection manhole



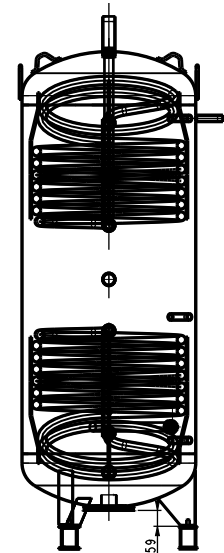
500 L - 2000 L



Bottom view



Front view



Side view

TANK CHARACTERISTICS

| References | | Corsun 2 Models - Booster coil (top) | | | | | | | | | | | | | | | | | |
|--|--|--------------------------------------|--|--|-------|------|------|-------|------|------|-------|------|------|-------|------|------|-------|------|------|
| | | 500 | | | 750 | | | 1000 | | | 1500 | | | 2000 | | | | | |
| TECHNICAL CHARACTERISTICS AND PERFORMANCE | | | | | | | | | | | | | | | | | | | |
| Usable capacity (L) | | 491 | | | 740 | | | 989 | | | 1382 | | | 2022 | | | | | |
| Cooling constants Codes* | | SM1 | | | 1.472 | | | 1.852 | | | 2.250 | | | 2.685 | | | 3.389 | | |
| | | TMO | | | 1.311 | | | 1.646 | | | 1.997 | | | 2.381 | | | 3.003 | | |
| Pressure loss | | mBar | | | 104 | | | 128 | | | 128 | | | 169 | | | 128 | | |
| Primary flow rate | | m ³ /h | | | 4 | | | 4 | | | 4 | | | 4 | | | 3 | | |
| Primary temperature | | °C | | | 70 | 80 | 90 | 70 | 80 | 90 | 70 | 80 | 90 | 70 | 80 | 90 | | | |
| Power at 60 °C** | | kW | | | 32 | 48 | 62 | 39 | 58 | 75 | 38 | 57 | 75 | 50 | 73 | 95 | 56 | 81 | 104 |
| Continuous flow at 60 °C** | | L/h | | | 551 | 822 | 1074 | 667 | 990 | 1291 | 660 | 984 | 1284 | 852 | 1256 | 1629 | 963 | 1395 | 1789 |
| Power at 45 °C** | | kW | | | 46 | 60 | 73 | 56 | 72 | 88 | 55 | 72 | 87 | 70 | 90 | 110 | 77 | 98 | 119 |
| Continuous flow at 45 °C** | | L/h | | | 1137 | 1469 | 1798 | 1368 | 1762 | 2154 | 1362 | 1757 | 2148 | 1728 | 2215 | 2703 | 1902 | 2418 | 2928 |
| Flow rate 10 min at 45 °C*** | | L | | | 256 | 256 | 256 | 387 | 387 | 387 | 394 | 394 | 394 | 581 | 581 | 581 | 1157 | 1157 | 1157 |

* Storage at 65 °C - Room temperature 20 °C. Values determined according to RT2012. Add 0.176 W/K for manhole models.

** Cold water at 10 °C *** Cold water at 10 °C - Storage at 60 °C.

DIMENSIONAL CHARACTERISTICS (IN MM)

| | | | | | | | | | | | | | | | | | | | |
|------------------------|--|----------------|--|--|---------|--|--|---------|--|--|---------|--|--|------|--|--|------|--|--|
| Ø DN | | 650 | | | 790 | | | 790 | | | 1000 | | | 1250 | | | | | |
| Return coil (A) | | 347 | | | 350 | | | 350 | | | 425 | | | 491 | | | | | |
| Input coil (B) | | 728 | | | 731 | | | 729 | | | 802 | | | 866 | | | | | |
| Height of the opening | | Flange (C) | | | 920 | | | 837 | | | 1400 | | | 1283 | | | 1000 | | |
| | | Manhole (C) | | | - | | | 858 | | | 958 | | | 983 | | | 1049 | | |
| DCW input (D) | | 200 | | | 200 | | | 200 | | | 320 | | | 320 | | | | | |
| Return loop (E) | | 920 | | | 937 | | | 1200 | | | 1132 | | | 1011 | | | | | |
| Height under drain (F) | | 60 | | | 60 | | | 60 | | | 60 | | | 60 | | | | | |
| Return upper coil (G) | | 1122 | | | 1138 | | | 1653 | | | 1334 | | | 1203 | | | | | |
| Upper input soil (H) | | 1503 | | | 1517 | | | 2032 | | | 1711 | | | 1578 | | | | | |
| Sensors & Therm ① | | | | | | | | F 15/21 | | | | | | | | | | | |
| Coil connections ② | | | | | | | | F 33/42 | | | | | | | | | | | |
| DCW/DHW/RL ③ | | | | | M 40/49 | | | | | | M 50/60 | | | | | | | | |
| Drain ④ | | | | | | | | F 50/60 | | | | | | | | | | | |
| Overall height | | Without risers | | | 1900 | | | 1935 | | | 2460 | | | 2215 | | | 2130 | | |
| | | With risers | | | 1985 | | | 2020 | | | 2545 | | | 2300 | | | 2215 | | |
| Dimension passageway | | Flange | | | 680 | | | 800 | | | 800 | | | 1015 | | | 1250 | | |
| | | Manhole | | | - | | | 880 | | | 880 | | | 1045 | | | 1260 | | |
| Tilting dimension* | | 1920 | | | 1960 | | | 2480 | | | 2270 | | | 2180 | | | | | |
| Empty tank weight (kg) | | Flange | | | 142 | | | 190 | | | 235 | | | 358 | | | 470 | | |
| | | Manhole | | | - | | | 220 | | | 265 | | | 388 | | | 500 | | |

* Risers not mounted.

COIL CHARACTERISTICS

| | | | | | | | | | | | | | | | | | | |
|--------------|--|-----------------------------------|--|------|--------|--|------|--------|--|------|--------|--|------|--------|--|------|--|--|
| Solar coil | | Area (m ²) | | 1.58 | | | 1.58 | | | 1.95 | | | 2.57 | | | 3.27 | | |
| | | Solar Volume (m ³) | | 312 | | | 468 | | | 713 | | | 888 | | | 1213 | | |
| | | Interior volume (m ³) | | 20 | | | 23 | | | 25 | | | 33 | | | 42 | | |
| Booster coil | | Area (m ²) | | 1.58 | | | 1.95 | | | 1.95 | | | 2.57 | | | 3.27 | | |
| | | Additional volume (L) | | 179 | | | 272 | | | 276 | | | 494 | | | 809 | | |
| Codes | | 640440 | | | 640441 | | | 640442 | | | 542065 | | | 640444 | | | | |

Insulation jackets

3 different insulation jackets available for all ranges and dimensions to provide you with a solution adapted to your needs

| Flexible SNC | Flexible M1 | Steel TM0 |
|--|--|--|
|  |  |  |
|  |  |  |
| <ul style="list-style-type: none"> • Thermal insulation soft PU foam • Thickness: 100 mm | <ul style="list-style-type: none"> • Thermal insulation made of glasswool with flexible PVC coating • Thickness: 100 mm • Fixed on the calorifier with a zipper | <ul style="list-style-type: none"> • Glasswool thermal insulation in galvanised steel jacket • Thickness: 100 mm |

Custom manufactured models

Tailor-made solutions to match your exact need

Worthy successor of world approved former Pacific calorifiers

The new production line of commercial and industrial application tanks is equipped with state-of-the-art tooling and equipment. With Wellman Robey teams expertise and Pacific know-how, it allows to respond to specific orders in addition to our standard ranges.

A dedicated team of engineers' receive all specific requests, analyses their feasibility and can create the corresponding customized calorifiers matching the customer's precise need.

Contact your Wellman Robey and/or former Pacific specialist for more information.





WELLMAN ROBEY

@ www.wellman-robey.com

The new, high performance industrial tooling set up by the group combines a high tech doctrine with the knowledge and expertise of qualified and motivated teams.
Sample of references:



TAWAM FEMALE STUDENTS HOSTEL
UNIVERSITY OF THE UNITED
ARAB EMIRATES
14 units of 1000L calorifiers

AL SAAD SPORTS CLUB
DEVELOPMENT
10 units from 1000L to 3000L
calorifiers



TAJ PALACE HOTEL ISSA TOWN
2 units of 1500L calorifiers

TARIQ HOSPITAL
39 units of 1500L calorifiers



Local dealer